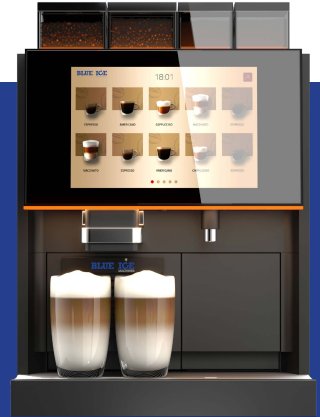


AZZURRI PREMIUM PRO

FULLY AUTOMATIC BEAN TO CUP COFFEE MACHINE

INDUSTRY LEADING EQUIPMENT



A stylised bean to cup coffee machine for use with fresh beans and fresh milk to produce a variety of **premium hot drink options**



SCREEN DISPLAY

Intuitive 10" HD Android touch display screen display allows for easy selection 30 hot drink options



DIGITAL CONTROL AND DISPLAY

Microprocessor control provides access to system settings and additional functions. Digital interface displays critical info on system status.



SERVING SIZE

Intelligent one touch sizing options ranging from 15ml to 240ml



DESIGNATED OUTLETS

Separate hot water outlets for tea, steam and wand for foam art and heating



4 LARGE HOPPERS

2 x coffee hopper
2 x powder hopper



DUAL OUTPUT

Makes Espresso, Americano, Cappuccino, Latte, Hot Water and Hot Milk.



MILK SYSTEM

Coffee and milk/foam can be made simultaneously for high efficiency.



WIFI CONNECTIVITY

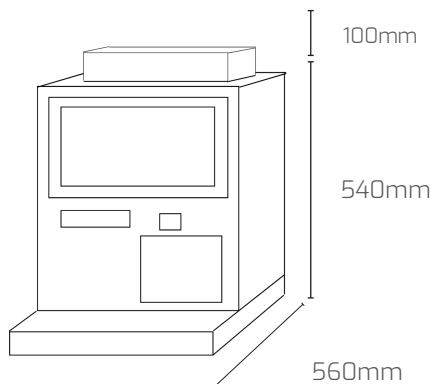
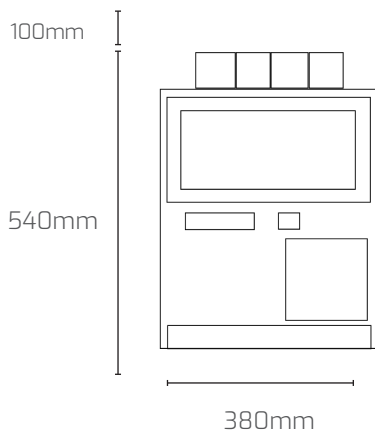
Wifi connects IOT platform to monitor real time activity

HIGH END **AUTOMATIC BEAN TO CUP MACHINE** WITH VARIOUS DRINK OPTIONS. PLUS INTELLIGENT ONE TOUCH SERVING CONTROL

MAXIMISE YOUR PROFITS

AZZURRI PREMIUM PRO

FULLY AUTOMATIC BEAN TO CUP COFFEE MACHINE



SPECIFICATIONS

Colours	Black
Hopper	4 x 500g
Water tank	4L
Output Capacity	150 per day

WEIGHT

Net	28kg
-----	------

DIMENSIONS

	NET (MM)
Width	380 mm
Depth	560 mm
Height	540/+100 clearance

ELECTRICAL

	AMP	FREQUENCY
	13	50-60Hz
	Heating Power	2000 watts

FEATURES

- COMPUTERIZED CONTROL SYSTEM
- EASY AND FAST PREPARATION
- DISPLAYS DRINK OPTION ON SCREEN
- CUSTOMIZE YOUR DRINK AND YOUR DRINK OPTION
- CONTROL THE COFFEE STRENGTH
- CONTROL WATER QUANTITY
- INTEGRATED CLEANING AND RINSING PROGRAMS FOR EASE OF CLEANING AND HYGIENE
- PRE-BREWING SYSTEM
- OPTIONAL MOB PROTOCOL FOR PAYMENT SYSTEM
- TWO THERMO-BLOCK HEATING SYSTEMS

Water filter
requirement to
maintain warranty:
Change every 2
months